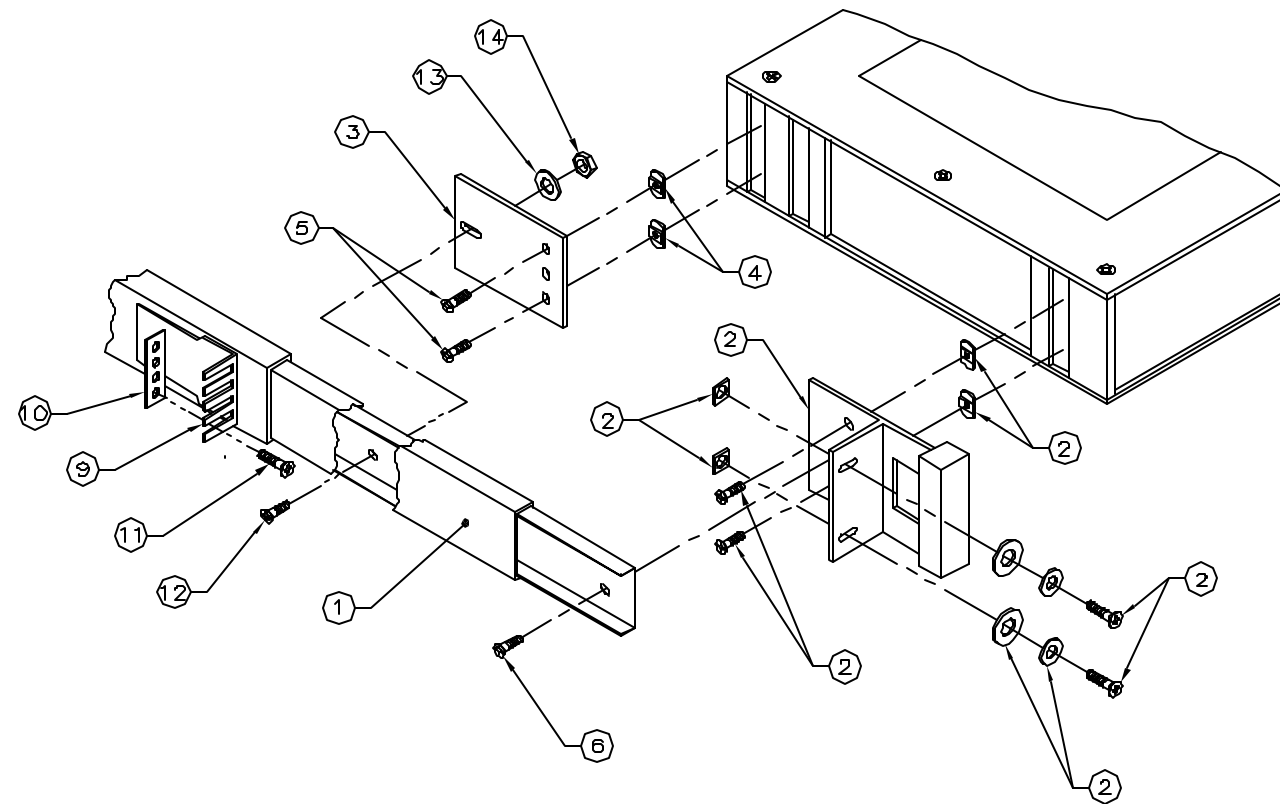


REVISIONS

| REV | DESCRIPTION | DATE | APPROVED |
|-----|------------------------------|----------|----------|
| A | PER ECN 6527 RELEASE TO PROD | 11/14/94 | JH |
| B | PER ECN 990002 | 6/12/00 | |
| C | PER ECN 000341 | 4/19/04 | |



PARTS LIST

| ITEM | PART NO. | DESCRIPTION | QTY. |
|------|------------|---|------|
| 1 | 5000366-00 | CHASSIS SLIDE, 370QD-24 | 2 |
| 2 | 2011121-01 | ASSY, RACK MT, KIT W/HANDLES | 1 |
| 3 | 5210953-01 | BRACKET, RACK MOUNT, SLIDE | 2 |
| 4 | 5210441-01 | NUT, FLANGE, 8-32 | 4 |
| 5 | 5149001-05 | SCR, FLH, X-REC (100) SLFLKG, 8-32 UNC X 5/16 | 4 |
| 6 | 5124008-04 | SCR, PNH, X-REC, SLFLKG, 8-32 UNC X 1/4 | 2 |
| 7 | NOT USED | ----- | -- |
| 8 | NOT USED | ----- | -- |
| 9 | 5000277-00 | MOUNTING KIT, BRACKET (SLIDES) W/HDW | 1 |
| 10 | 5000278-00 | BAR NUT, 10-32 THREADS | 4 |
| 11 | 5120010-59 | SCR, PNH X-REC 10-32 UNF X 9/16 | 8 |
| 12 | 5120008-06 | SCR, PNH X-REC SLFLKG 8-32 UNC X 3/8 UNC | 2 |
| 13 | 5160008-00 | WASHER FLAT, 8-32 | 2 |
| 14 | 5186008-32 | NUT, KEPS, 8-32 UNC | 2 |

UNLESS OTHERWISE SPECIFIED
DIMENSIONS IN INCHES(mm)
.XX ±- ANGLES ±-
.XXX ±- .XXXX ±-

MATERIAL:

FINISH:

| | |
|---------------------------------|----------------|
| PREPARED Wayne Nguyen | DATE 6/1/94 |
| CHECKED | DATE |
| APPROVED | DATE |
| APPROVED | DATE |



Phase Matrix, Inc.
SAN JOSE, CA 95134

CHASSIS SLIDE ASSY,
W/HANDLES, OPT. 101

| | | | |
|-----------|---------------------|---------------------------|----------|
| SIZE B | CODE IDENT 34257 | DRAWING NO. 5520024-00 | REV C |
|-----------|---------------------|---------------------------|----------|

DO NOT SCALE DRAWING

SCALE: NONE | 55200240C1 | SHEET 1 OF 1

NOTES:(UNLESS OTHERWISE SPECIFIED)

THE INFORMATION DISCLOSED HEREIN IS PROPRIETARY TO PHASE MATRIX AND IS NOT TO BE REPRODUCED,USED OR DISCLOSED TO OTHERS FOR MANUFACTURING OR FOR ANY OTHER PURPOSE EXCEPT BY SPECIFIC WRITTEN AUTHORIZATION OF THE COMPANY.

REMOVE ALL BURRS
BREAK ALL SHARP
.005 MAX.